

# Float

Mario Alessiani

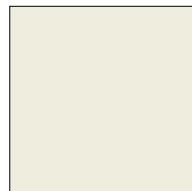
Lampada multifunzionale portatile a batteria, con sorgente a led integrata, adatta per interni ed esterni. Struttura realizzata in alluminio e acciaio inox con diffusore in PC ad alta efficienza. Dimmerabile a 5 livelli. Autonomia 9h con kit batterie sostituibili e ricaricabili per almeno 500 cicli, alla massima efficienza.

INDOOR ↔ OUTDOOR

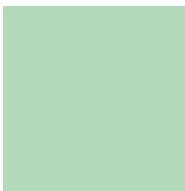
Multifunctional mobile battery lamp with integrated led source, for indoor and outdoor applications. Aluminum and stainless steel structure, high efficiency PC diffusor. Dimmable 5 steps. 9 hours runtime with replaceable battery kit with at least 500 recharging cycles, at maximum efficiency.



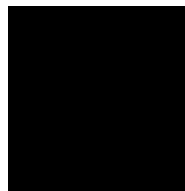
COLOURS



white



laguna aqua



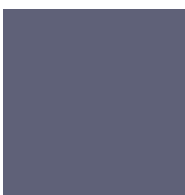
intense black



concrete - greige



mauve dust



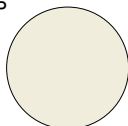
blue<sup>LS</sup>



concrete green<sup>LS</sup>

LS: stock limitato / limited stock.

COLOURS TOP



white



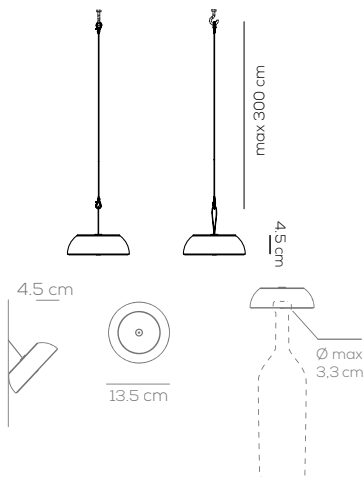
black



concrete - greige

## SP FLOAT

kg 0,40 m<sup>3</sup> 0,0025



FLOAT INDOOR & OUTDOOR / suspension lamp / wall lamp / for installation on bottles

Type	Article	Colours / Finish	Source
SP	FLOATX	BC white / BC white	LED 3,5W - diffused beam 2700K
		LA laguna aqua / BC white	
		NE black / NE black	
		GE concrete - greige / CO concrete - greige	
		MD mauve dust / BC white	
		BL blue / BC white <sup>LS</sup>	
		CG concrete green / CO concrete grey <sup>LS</sup>	

This luminaire contains a light source with the energy class G



5 steps IP55 CRI 80 Li-Ion battery 500 cycles 9 hours LED ~200 lm\* 57.14 lm/W\*

example composition code SP FLOATX LA BC LED

LS: stock limitato / limited stock.

SP FLOATX \_\_\_ LED

CUSTOMER \_\_\_\_\_ NOTES \_\_\_\_\_

NOTICE: Luminous flux (lm) and efficacy (lm/W) for all LED luminaires is estimated based on nominal ratings of the LED sources. Technical data could be subject to alteration without notice. Axo Light does not provide legal guarantee for the accuracy of this data sheet.